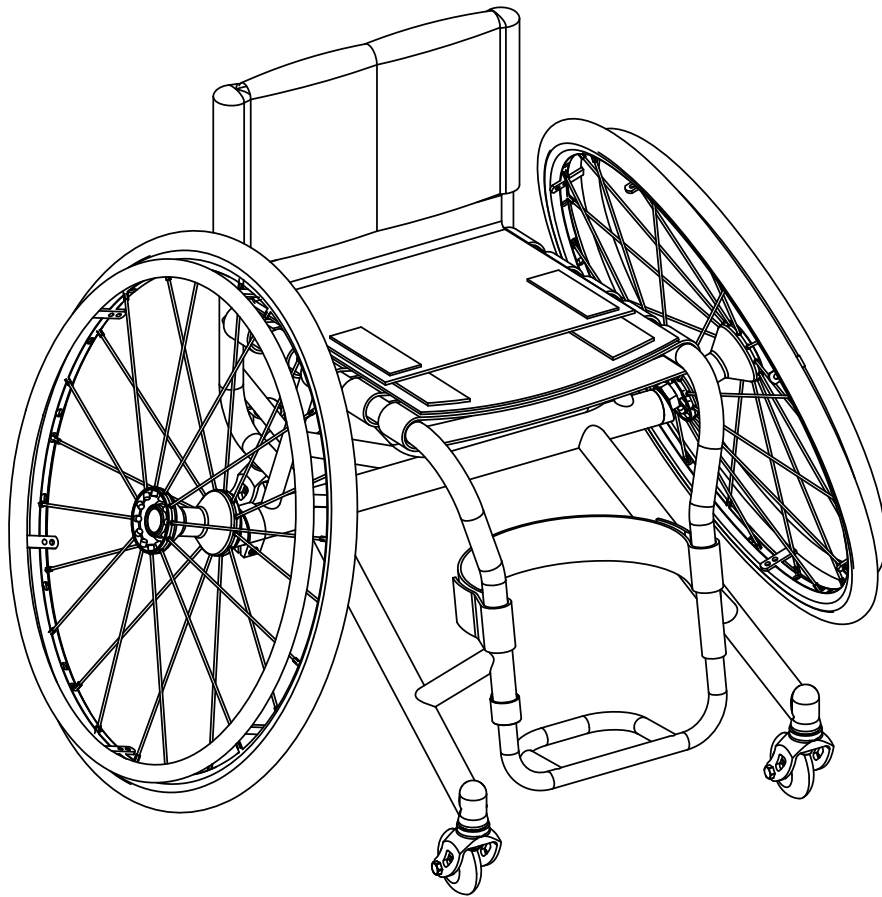




Sports and Recreation Products  
4501 63rd Circle North  
Pinellas Park, FL 33781  
(800) 532-8677 (727) 522-8677  
Fax: (727)522-1007

# Invacare Top End Parts Catalog T-5 Tennis Elite Aluminum T-5 Tennis Elite Titanium



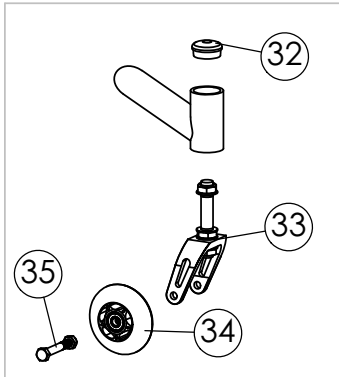


Sports and Recreation Products  
 4501 63rd Circle North  
 Pinellas Park, FL 33781  
 (800) 532-8677 (727) 522-8677  
 Fax: (727) 522-1007

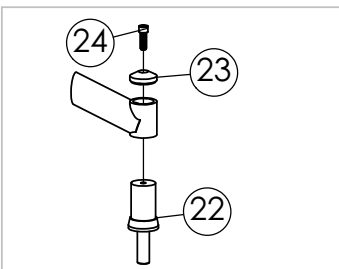
# Parts Order Diagram

## T-5 Tennis Elite

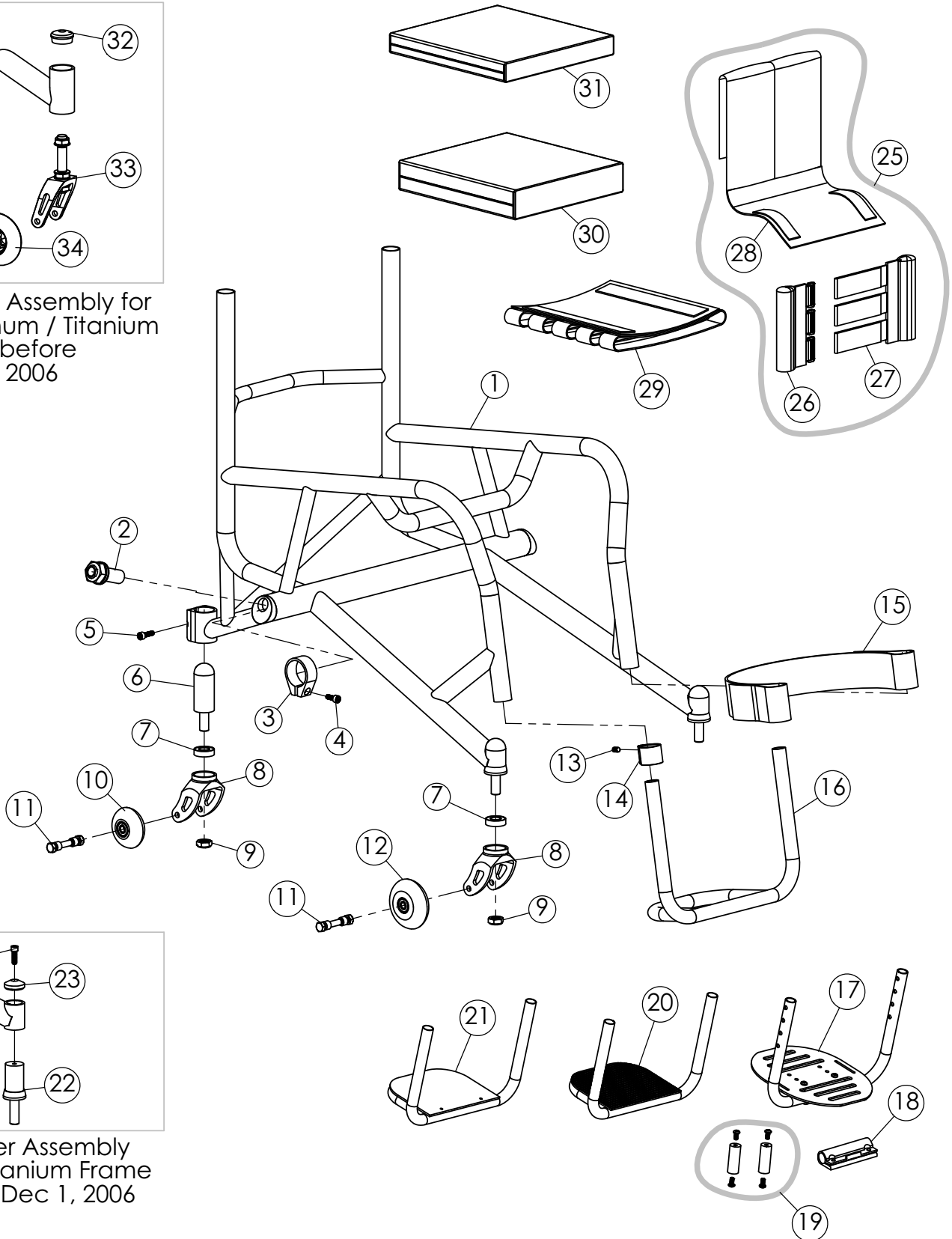
### Frame / Parts



Caster Assembly for Aluminum / Titanium frame before Dec 1, 2006



Caster Assembly for Titanium Frame after Dec 1, 2006





Sports and Recreation Products  
 4501 63rd Circle North  
 Pinellas Park, FL 33781  
 (800) 532-8677 (727) 522-8677  
 Fax: (727)522-1007

# Parts Order Diagram

## T-5 Tennis Elite

### Frame / Parts

Date: \_\_\_\_\_ P.O./Customer#: \_\_\_\_\_ Ship to  Customer  Provider Part Tracking#: \_\_\_\_\_ (TOP END Use Only)

<b>Provider</b> _____	<b>Acct#</b> _____
Address _____	Suite _____
City _____	State _____ Zip _____
Work Phone (_____) _____	Fax _____
Cell Phone (_____) _____	
E-mail _____	

<b>Customer</b> _____
Address _____ Apt. _____
City _____ State _____ Zip _____
Home Phone (_____) _____
Cell Phone (_____) _____
E-mail _____

ITEM NO.	PART NUMBER	QTY PER CHAIR	DESCRIPTION	ORDER QTY.
1	1139795	1	Frame (Only): Aluminum, send new complete chair order form . Also include previous chair's serial number	
	1139797	1	Frame (Only): Titanium, send new complete chair order form. Also include previous chair's serial number	
2	1145947	2	Axle Receiver, Lock Washer, Washer, Nut Assembly	
3	1116530	2	Camber Clamp, Extruded	
4	1061200	2	Screw, M6 x 16mm SHCS	
5	1073283	1	Screw, 1/4-28 x 3/4 SHCS	
6	1139782	1	Anti-tip Adjustable Height Headtube (includes fork stem)	
7	1054030	6	Fork Bearing: 1-1/8" x 1/2" x 5/16"	
8	1145935	3	Fork Assembly (includes fork and two bearings)	
9	1025737	3	Locknut 1/2"-20	
10	1145939	1	Caster, Anti-tip 59mm w/ Composite Hub (Bearings Included)	
11	1139775	2	Caster Mounting Hardware Kit	
12	1139783	2	Caster, 72mm w/ Composite Hub (Bearings Included)	
13	1139747	2	Set Screw, Stainless 1/4"-20 x 1/2" Long	
14	1111949	2	Clamp, Footrest for 3/4" Tubular Footrest (each)	
15	1054268	1	Leg / Calf Strap (specify footrest width)	
16	1143278	1	1 Piece Tubular Footrest, Aluminum (specify footrest width)	
17	1145905	1	Adjustable Angle One Piece Footplate (specify footrest width)	
18	1139739	1	Footrest Clamp	
19	1146025	1	Adaptive Spacer Assembly (includes (2) 2" spacers, (4) screws)	
20	1145907	1	1 Piece Tubular Footrest, Aluminum w/ Carbon Fiber Cover (specify footrest width)	
21	1145906	1	1 Piece Tubular Footrest, Aluminum w/ Plastic Cover (specify footrest width)	
22	1145894	2	Bushing Assembly, Head Tube	
23	1061203	2	Cap, Head Tube	
24	1073283	2	Screw, 1/4-28 x 3/4 SHCS	
25	1145891	1	Adjustable Back Upholstery (specify back height, seat width)	
26	1127961	1	RH Back (Anchor) (specify back height, seat width)	
27	1127962	1	LH Back (Adjustor) (specify back height, seat width)	
28	1127960	1	Back Center (specify back height, seat width)	
29	1127963	1	Seat Upholstery, Adjustable Tension (specify seat width, seat depth)	
30	1054272	1	Soft Cushion (circle one) 2" 3" 4" , also specify seat width, seat depth	
31	1060130	1	Hard Cushion (circle one) 2" 3" 4" , also specify seat width, seat depth	
32	1116007	3	Cap, Head Tube, Before Dec 1, 2006	
33	1054254	3	3" Fork Assembly (includes fork, stem, and locknuts), Before Dec 1, 2006	
34	1065288	2	3" Caster w/ Composite Hub (bearings included)	
	1127881	2	3" Lighted Caster w/ Composite Hub (Bearings Included)	
35	1061195	2	Caster Mounting Hardware Kit	

Seat Width _____	Seat Depth _____	Back Height _____	Wheel Size _____	Camber _____	Footrest Width _____
------------------	------------------	-------------------	------------------	--------------	----------------------

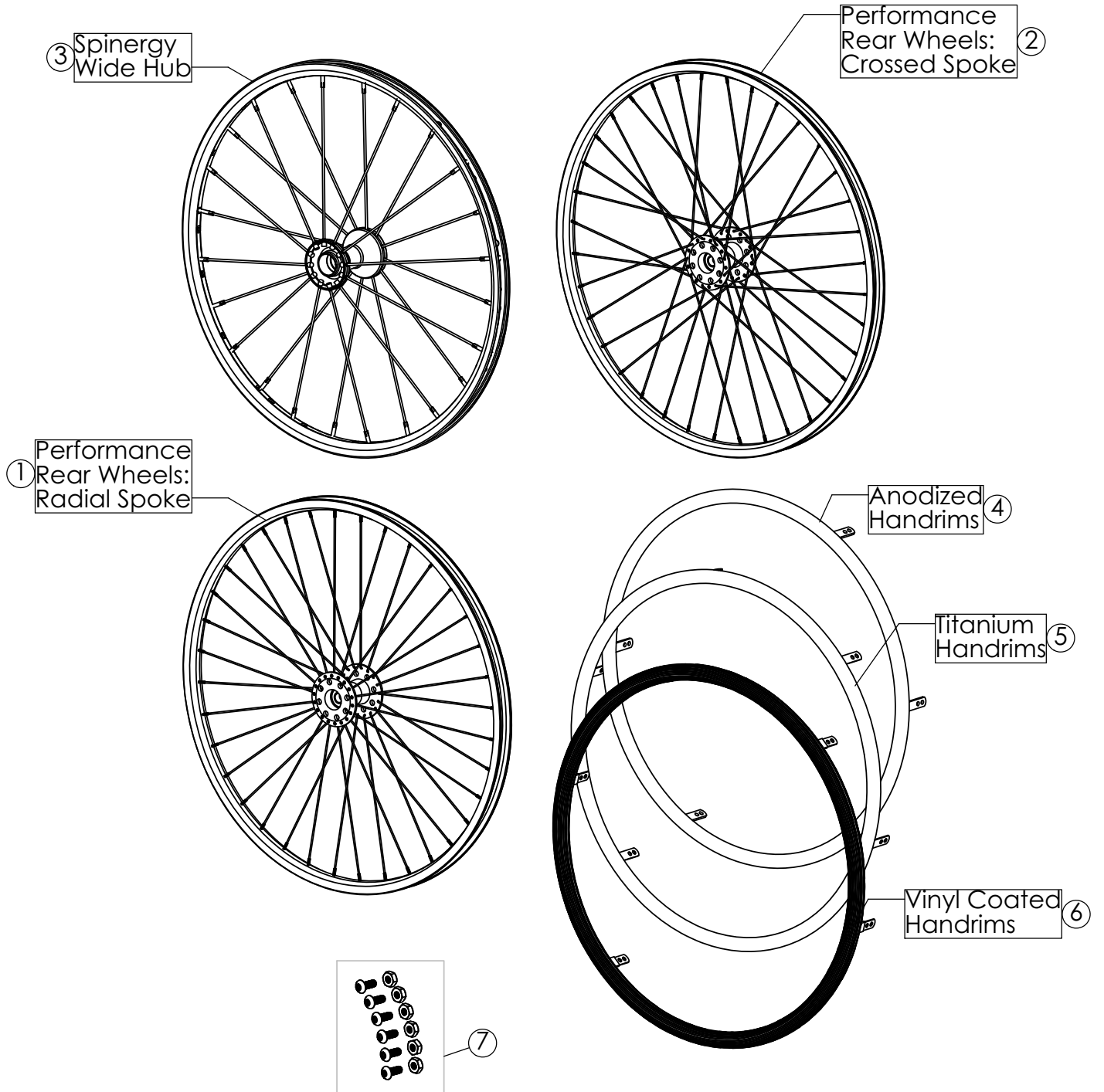


Sports and Recreation Products  
4501 63rd Circle North  
Pinellas Park, FL 33781  
(800) 532-8677 (727) 522-8677  
Fax: (727) 522-1007

# Parts Order Diagram

## T-5 Tennis Elite

### Rear Wheels





Sports and Recreation Products  
 4501 63rd Circle North  
 Pinellas Park, FL 33781  
 (800) 532-8677 (727) 522-8677  
 Fax: (727)522-1007

# Parts Order Diagram

## T-5 Tennis Elite

### Rear Wheels

Date: \_\_\_\_\_ P.O./Customer#: \_\_\_\_\_ Ship to  Customer  Provider Part Tracking#: \_\_\_\_\_  
(TOP END Use Only)

<b>Provider</b> _____	<b>Acct#</b> _____
Address _____	Suite _____
City _____	State _____ Zip _____
Work Phone (_____) _____	Fax _____
Cell Phone (_____) _____	
E-mail _____	

<b>Customer</b> _____
Address _____ Apt. _____
City _____ State _____ Zip _____
Home Phone (_____) _____
Cell Phone (_____) _____
E-mail _____

ITEM NO.	PART NUMBER	QTY PER CHAIR	DESCRIPTION	ORDER QTY.
-	-	-	<b>WHEELS</b>	
1	1054053	2	22" (501) Performance Rear Wheel: Radial	
1	1054054	2	24" (540) Performance Rear Wheel: Radial	
2	1060134	2	24" (540) Performance Rear Wheel: Crossed	
3	1060202	2	24" (540) Spinerger Sport Wide Hub (Yellow or Black)	
1	1054055	2	25" (559) Performance Rear Wheel: Radial	
2	1060135	2	25" (559) Performance Rear Wheel: Crossed	
3	1060892	2	25" (559) Spinerger Sport Wide Hub (Yellow or Black)	
1	1054056	2	26" (590) Performance Rear Wheel: Radial	
2	1060136	2	26" (590) Performance Rear Wheel: Crossed	
3	1059424	2	26" (590) Spinerger Sport Wide Hub (Yellow or Black)	
1	1139780	2	27" (700c) Performance Rear Wheel: indicate Radial or Crossed Spokes	
3	1116517	2	27" (700c) Spinerger Sport Wide Hub (Yellow or Black)	
	1054030	4	Bearing, Rear Wheel 1-1/8" OD, 1/2" ID, 1/4" Width	
-	-	-	<b>HANDRIMS</b>	
4	1054082	2	22" Anodized Handrim	
6	1063567	2	22" Vinyl Coated Handrim - Black	
4	1054083	2	24" Anodized Handrim	
6	1054084	2	24" Vinyl Coated Handrim - Black	
5	1060873	2	24" Titanium Handrim	
4	1054085	2	25" Anodized Handrim	
6	1054086	2	25" Vinyl Coated Handrim - Black	
5	1060874	2	25" Titanium Handrim	
4	1054087	2	26" Anodized Handrim	
6	1054088	2	26" Vinyl Coated Handrim - Black	
5	1060875	2	26" Titanium Handrim	
4	1054089	2	27" (700c) Anodized Handrim	
7	1145898	2	Handrim Hardware Kit (6) 10-32 x 1/2" Screws, (6) 10-32 Locknuts	
-	-	-	<b>TIRES AND TUBES</b>	
	1054070	2	22" (501) Primo V Track High Pressure Clincher Tire	
	1061214	2	22" (501) Tube (Presta Valve)	
	1054064	2	24" (540) Primo V Track High Pressure Clincher tire	
	1127915	2	24" (540) Kenda Sport Tire, Clincher, Red	
	1127918	2	24" (540) Kenda Sport Tire, Clincher, Yellow	
	1060154	2	24" (540) Tube (Presta Valve)	
	1054067	2	25" (559) Primo V Track High Pressure Clincher tire	
	1127916	2	25" (559) Kenda Sport Tire, Clincher, Red	
	1127919	2	25" (559) Kenda Sport Tire, Clincher, Yellow	
	1060155	2	25" (559) Tube (Presta Valve)	
	1054066	2	26" (25-590) Primo High Pressure Clincher Tire	
	1127917	2	26" (590) Kenda Sport Tire, Clincher, Red	
	1127920	2	26" (590) Kenda Sport Tire, Clincher, Yellow	
	1054074	2	26" (590) Tube (Presta Valve)	
	1060115	2	27" (700c) Primo High Pressure Clincher Tire	
	1054075	2	27" (700c) Tube (Presta Valve)	
	1061213	2	Rim Strip (circle one ) 22", 24", 25", 26", and 700C	



Sports and Recreation Products  
 4501 63rd Circle North  
 Pinellas Park, FL 33781  
 (800) 532-8677 (727) 522-8677  
 Fax: (727)522-1007

# Parts Order Diagram

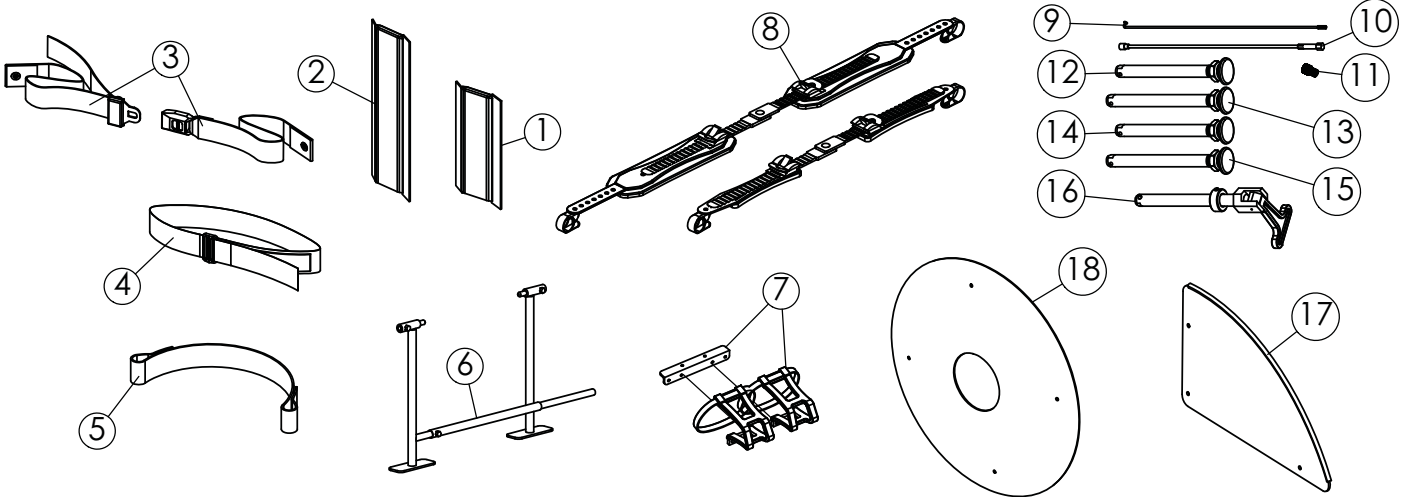
## T-5 Tennis Elite

### Accessories

Date: \_\_\_\_\_ P.O./Customer#: \_\_\_\_\_ Ship to  Customer  Provider Part Tracking#: \_\_\_\_\_ (TOP END Use Only)

<b>Provider</b> _____	<b>Acct#</b> _____
Address _____	Suite _____
City _____	State _____ Zip _____
Work Phone (_____) _____	Fax _____
Cell Phone (_____) _____	
E-mail _____	

<b>Customer</b> _____
Address _____ Apt. _____
City _____ State _____ Zip _____
Home Phone (_____) _____
Cell Phone (_____) _____
E-mail _____



ITEM NO.	PART NUMBER	QTY PER CHAIR	DESCRIPTION	ORDER QTY
1	1143295	1	Rear Back Bar Frame Protector	
2	1145900	1	Front Frame Vertical Protectors (pair)	
3	1004310	1	Seat Positioning Strap, Auto Style Buckle	
4	1109772	1	Positioning strap, Velcro hook & loop style	
5	1054268	1	Leg / Calf Strap (specify footrest width)	
6	1109717	-	Alignment Gauge	
7	1145927	1	Toe Clip Kit (pair)	
8	1145923	1	Click Straps (pair)	
9	1059514	-	Metal Spoke w/ Nipple (indicate model, crossed/radial, and wheel size)	
10	1060803	-	Spinergy Spoke (specs. required)	
11	1061215	-	Presta Valve Adaptor	
12	1065303	2	Axle, Quick Release, Standard	
13	1060140	2	Axle, Quick Release, Standard, for Wide Hub	
14	1060842	2	Axle, Quick Release, Titanium	
15	1060843	2	Axle, Quick Release, Titanium, for Wide Hub	
16	1043487	2	Axle, Quad Release, Standard	
17	1059414	1	Fixed Side Guard, Aluminum (RH & LH, Outline Required)	
	1139771	1	Fixed Side Guard, Carbon Fiber (RH & LH, Outline Required)	
18	1054079	2	24" Spoke Guard, specify clear or black	
	1060699	2	25" Spoke Guard, specify clear or black	
	1054081	2	26" Spoke Guard, specify clear or black	