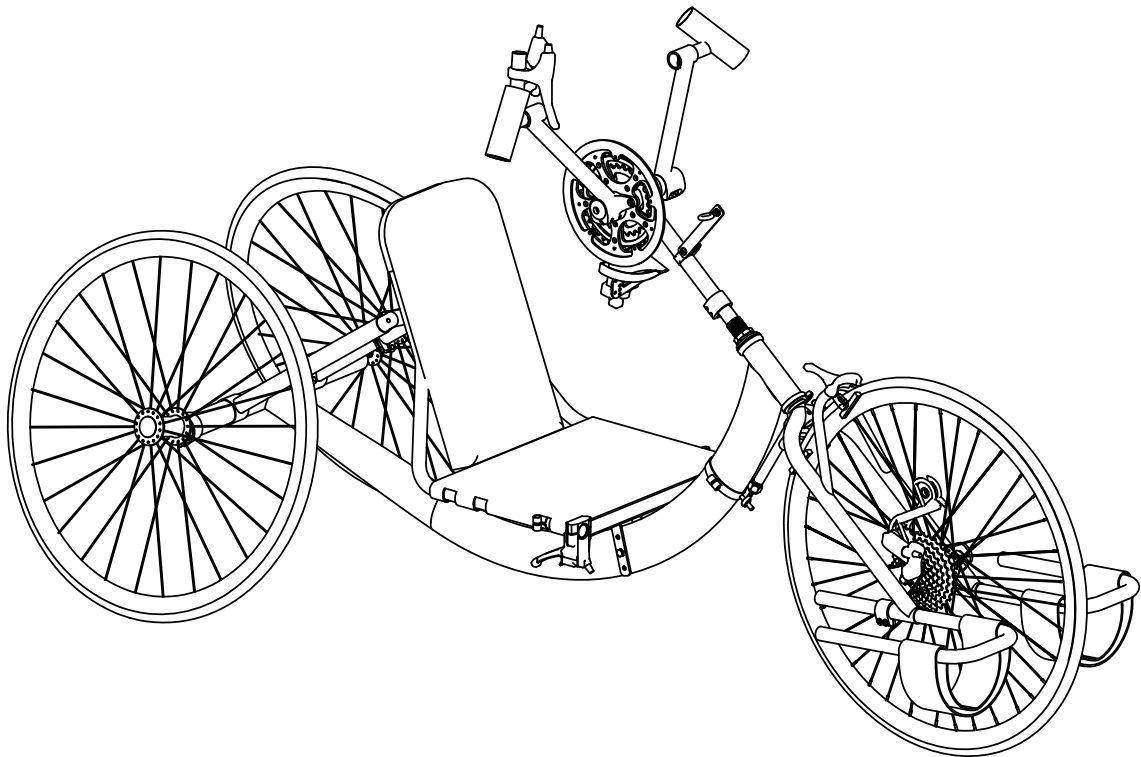




Sports and Recreation Products
4501 63rd Circle North
Pinellas Park, FL 33781
(800) 532-8677 (727) 522-8677
Fax: (727) 522-1007
www.topendwheelchair.com

Invacare Top End Parts Catalog XLT PRO





Sports and Recreation Products
 4501 63rd Circle North
 Pinellas Park, FL 33781
 (800) 532-8677 (727) 522-8677
 Fax: (727)522-1007
 www.topendwheelchair.com

Parts Order Diagram

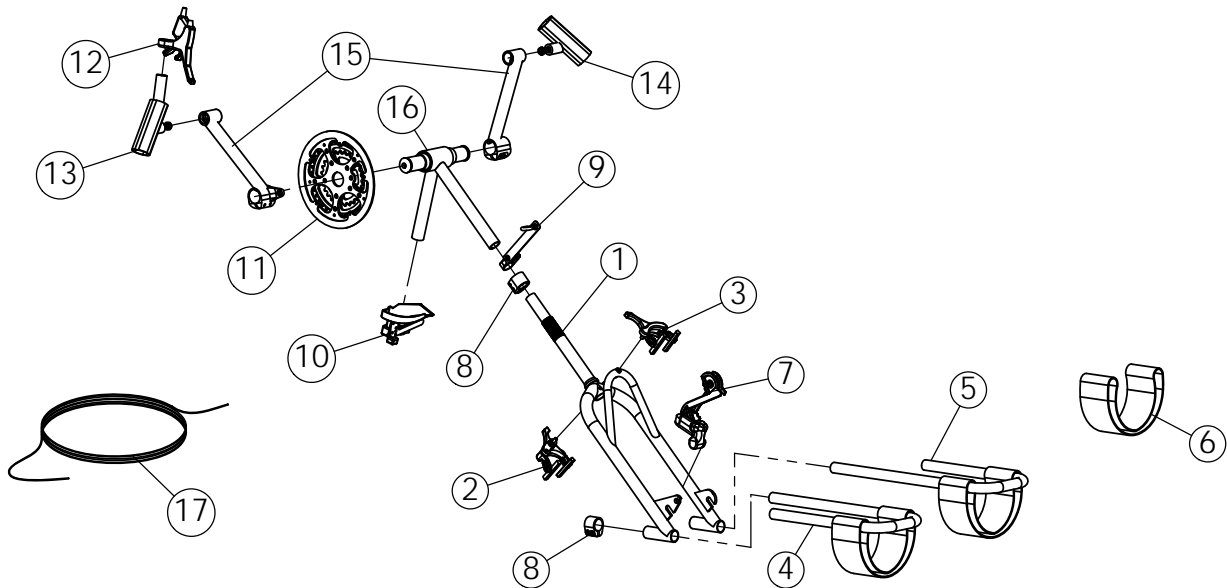
XLT Pro

Fork Assembly

Date: _____ P.O./Customer#: _____ Ship to Customer Provider Part Tracking#: _____
(TOP END Use Only)

Provider _____	Acct# _____
Address _____	Suite _____
City _____	State _____ Zip _____
Work Phone (_____) _____	Fax _____
Cell Phone (_____) _____	
E-mail _____	

Customer _____
Address _____ Apt. _____
City _____ State _____ Zip _____
Home Phone (_____) _____
Cell Phone (_____) _____
E-mail _____



ITEM NO.	PART NUMBER	PER BIKE	DESCRIPTION	ORDER QTY	
1	1056849	1	Fork, XLT Pro DBL brake		EA
2	1127939	1	Brake caliper for High Performance tire, 27 spd (long stem)		EA
3	1127940	1	Brake caliper for High Performance tire, 27 spd (short stem)		EA
	1060212	1	Brake caliper for cruiser or knobby tire		EA
4	1054195	1	Footrest, Handcycle w/strap right		EA
5	1054196	1	Footrest, Handcycle w/strap left		EA
6	1060650	2	Footrest strap only		EA
7	1054246	1	Front wheel derailer		EA
8	1060797	3	Clamp, 1" alloy		EA
9	1127879	1	Cable guide assy		EA
	1056843	1	Chain guide assy (not pictured)		EA
10	1139745	1	Manual derailer assembly (includes: (1) derailer, (1) lever, and hardware		EA
11	1127941	1	Chain Ring Assembly 48-40-28		EA
12	1116536	1	LX Rapidfire shifter/brake lever		EA
13	1127905	1	Handpedal Right w/Rapidfire mount post		EA
14	1127936	1	Handpedal (no mounting post, choose one) <input type="checkbox"/> Right or <input type="checkbox"/> Left		EA
	1127906	1	Handpedal, Left w/Rapidfire mount post (not pictured)		EA
	1109795	4	Bearing, Handpedal (not pictured)		EA
15	1127943	1	V Crank Arms -specify Width and Length (4) bearings, (2) arms, (4) bolts		PR
16	1153035	1	Crank Support Assy:(4) bearings,(1)crank housing,(1)crank axle,(2)caps,spacers,bolts		EA
	1127921	4	Bearing, Crank Support Assy (Not Pictured)		EA
17	1146014	1	Cable and Housing for Parking Brake		EA
	1146015	1	Cable and Housing for Hand Brake		EA
	1146016	1	Cable and Housing for Rapidfire Shifter		EA



Sports and Recreation Products
 4501 63rd Circle North
 Pinellas Park, FL 33781
 (800) 532-8677 (727) 522-8677
 Fax: (727)522-1007
 www.topendwheelchair.com

Parts Order Diagram

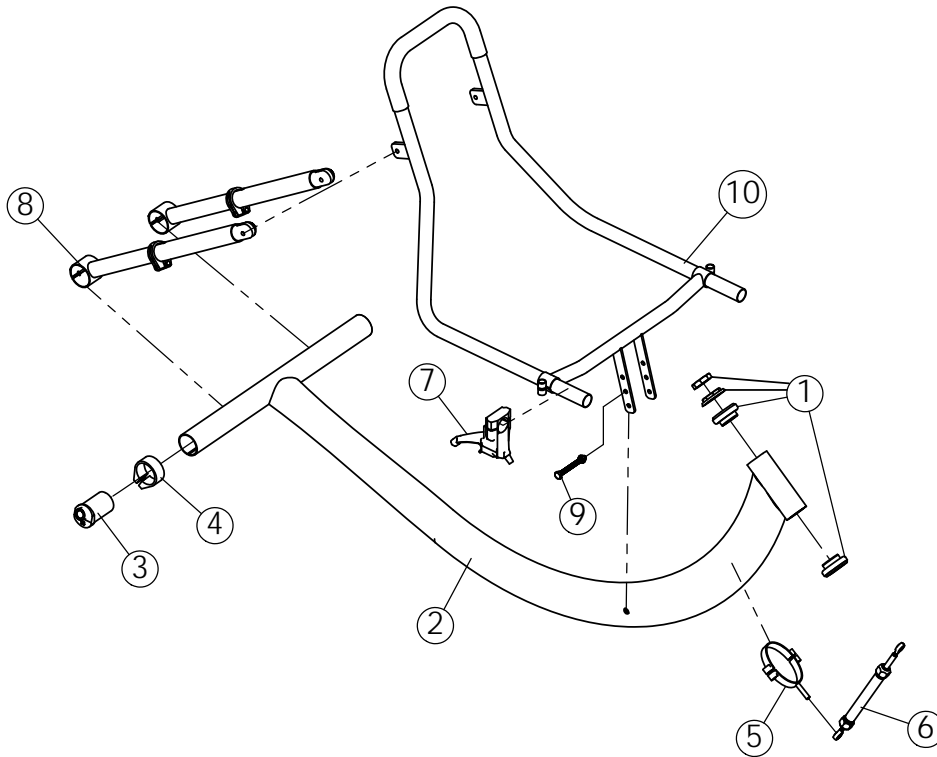
XLT Pro

Frame Assembly

Date: _____ P.O./Customer#: _____ Ship to Customer Provider Part Tracking#: _____
(TOP END Use Only)

Provider _____	Acct# _____
Address _____	Suite _____
City _____	State _____ Zip _____
Work Phone (_____) _____	Fax _____
Cell Phone (_____) _____	
E-mail _____	

Customer _____
Address _____ Apt. _____
City _____ State _____ Zip _____
Home Phone (_____) _____
Cell Phone (_____) _____
E-mail _____



ITEM NO.	PART NUMBER	PER CHAIR	DESCRIPTION			ORDER QTY
1	1056876	1	Fork headset bearing kit			EA
2	1057055	1	Frame XLT Pro (does not include headset bearing kit or camber bushing)			EA
	1153036	1	Frame XLT Pro, Travel Ready (not pictured) (does not include headset bearing kit or camber bushing)			EA
3	1068760	2	Camber plug, Quick Release	<input type="checkbox"/> 12 Degrees	<input type="checkbox"/> 15 Degrees	EA
	1061179	2	Camber Plug, Threaded	<input type="checkbox"/> 12 Degrees	<input type="checkbox"/> 15 Degrees	EA
4	1116530	2	Camber clamp			EA
5	1116522	1	XLT compensator clamp			EA
6	1059441	1	Compensator			EA
7	1068766	1	Parking brake lever			EA
8	1054198	2	Seat Support Assembly (includes all bolts and clamp)			EA
9	1152980	2	Screw 1/4-20 x 2-1/2 hhcs with locknut			EA
10	1153144	1	XLT seat frame assembly - Narrow (includes: seat, 3 bolts, and 2 plugs)	Seat Width _____	Back Height <input type="checkbox"/> 15" <input type="checkbox"/> 17"	EA
	1153037	1	XLT seat frame assembly - Wide	Seat Width _____	Back Height _____	EA
	1063576	1	Chain, XLT (approximately 6 foot length)			EA



Sports and Recreation Products
 4501 63rd Circle North
 Pinellas Park, FL 33781
 (800) 532-8677 (727) 522-8677
 Fax: (727)522-1007
 www.topendwheelchair.com

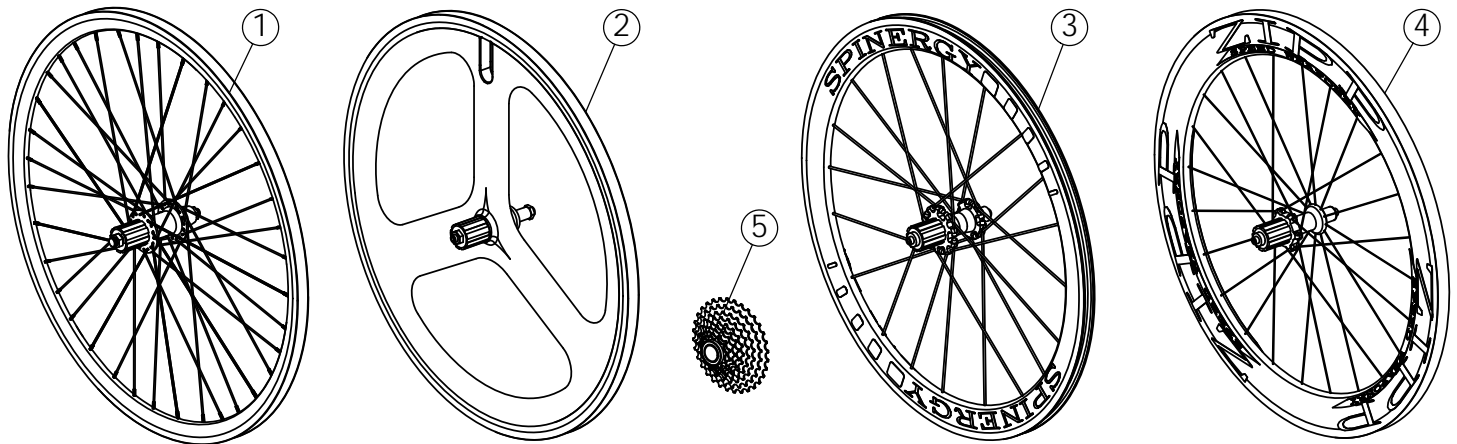
Parts Order Diagram

XLT Pro Wheels

Date: _____ P.O./Customer#: _____ Ship to Customer Provider Part Tracking#: _____
(TOP END Use Only)

Provider _____	Acct# _____
Address _____	Suite _____
City _____	State _____ Zip _____
Work Phone (_____) _____	Fax _____
Cell Phone (_____) _____	
E-mail _____	

Customer _____
Address _____ Apt. _____
City _____ State _____ Zip _____
Home Phone (_____) _____
Cell Phone (_____) _____
E-mail _____



Item No	Part No	Description	Tire Style	Quantity	
	1116526	24" Off Road/Cruiser Front Wheel, 27 Speed	Clincher Only		EA
	1065274	24" Off Road/Cruiser Rear Wheel, Quick Release axle	Clincher Only		EA
	1109766	24" Off Road/Cruiser Rear Wheel, Threaded Axle	Clincher Only		EA
1	1139801	26 In. (571) High Performance Front Wheel (Drive)	Clincher Only		EA
	1059578	26 In. (571) High Performance Rear Wheel (Non-Drive), Quick Release Axle	Clincher Only		EA
	1059573	26 In. (571) High Performance Rear Wheel (Non-Drive), Threaded Axle	Clincher Only		EA
2	1059529	26 In. (571) Tri-Spoke Carbon Fiber Front Wheel (Drive)	<input type="checkbox"/> Tubular <input type="checkbox"/> Clincher		EA
	1060695	26 In. (571) Tri-Spoke Carbon Fiber Rear Wheel (Non-Drive), Threaded Axle	<input type="checkbox"/> Tubular <input type="checkbox"/> Clincher		EA
3	1116584	26 In. (571) Spinergy Front Wheel (Drive)	Clincher Only		EA
	1116583	26 In. (571) Spinergy Rear Wheel (Non-Drive), Threaded Axle	Clincher Only		EA
4	1146009	26 In. (571) 404 Zipp Front Wheel (Drive)	<input type="checkbox"/> Tubular <input type="checkbox"/> Clincher		EA
	1146010	26 In. (571) 404 Zipp Rear Wheel (Non-Drive), Threaded Axle	<input type="checkbox"/> Tubular <input type="checkbox"/> Clincher		EA
5	1054251	27 Speed Cassette Cluster			EA
	1060149	Tire 26" (571) Hi-Performance Clincher			EA
	1060160	Tube 26" (571) (Hi-Performance), Standard Stem			EA
	1139820	Tube 26" (571) (Hi-Performance), Long Stem			EA
	RACE10	Tire, 26" tubular, Panaracer Rapide			EA
	RACE31	Tire, Tubular Tufo Jet Special			EA
	1063517	Tire, 24" Knobby			EA
	1060711	Tire, 24" Cruiser			EA
	1063519	Tube, Knobby/Cruiser			EA
	1061213	26 In. Rim Strip			EA
	1065303	Quick Release Axle			EA



Sports and Recreation Products
 4501 63rd Circle North
 Pinellas Park, FL 33781
 (800) 532-8677 (727) 522-8677
 Fax: (727)522-1007
 www.topendwheelchair.com

Parts Order Diagram

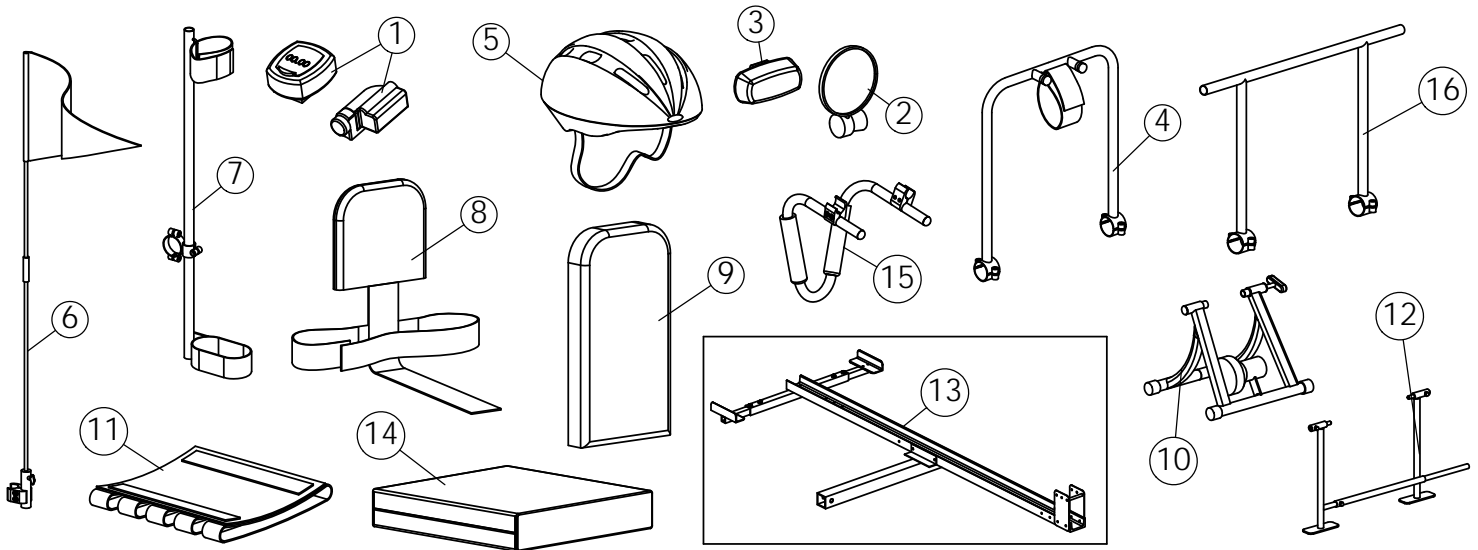
XLT Pro

Accessories

Date: _____ P.O./Customer#: _____ Ship to Customer Provider Part Tracking#: _____ (TOP END Use Only)

Provider _____ **Acct#** _____
 Address _____ Suite _____
 City _____ State _____ Zip _____
 Work Phone (_____) _____ Fax _____
 Cell Phone (_____) _____
 E-mail _____

Customer _____
 Address _____ Apt. _____
 City _____ State _____ Zip _____
 Home Phone (_____) _____
 Cell Phone (_____) _____
 E-mail _____



ITEM NO.	PART NUMBER	PER CHAIR	DESCRIPTION				ORDER QTY
1	1056875	1	Cordless Computer				EA
2	1068722	1	Mirror				EA
3	1068721	1	Front Safety Light (clear)				EA
	1060841	1	Rear Safety Light (red)				EA
	1152963	1	Click Strap Set 8" (small)				EA
	1152964	1	Click Strap Set 10" (medium)				EA
	1152965	1	Click Strap Set 12" (large)				EA
4	1068720	1	Tow bar for wheelchair				EA
5	1060639	1	Helmet <input type="checkbox"/> Small <input type="checkbox"/> Medium <input type="checkbox"/> Large				EA
6	1063516	1	Safety flag with mounting hardware				EA
7	1068723	1	Crutch Holder				EA
8	1060887	1	Back Upholstry	<input type="checkbox"/> Narrow back <input type="checkbox"/> Wide back	Seat width _____	<input type="checkbox"/> 15" Back height <input type="checkbox"/> 17" Back height	EA
9	1060896	1	Back Cushion	<input type="checkbox"/> Narrow back	Seat width _____	<input type="checkbox"/> 15" Back height <input type="checkbox"/> 17" Back height	EA
	1068718	1	Water Bottle & Cage				EA
	1060798	1	Back Pack Hydration System				EA
10	1116580	1	Indoor Training Roller				EA
11	1127963	1	Seat Upholstry, Adjustable Tension		Seat Width _____		EA
12	1109717	1	Alignment Guage				EA
	1139799	1	Heart Monitor (Chest Strap and Watch)				EA
13	1068771	1	Bike Rack for trailer hitch <input type="checkbox"/> 1-1/4" (std) <input type="checkbox"/> 2"				EA
14	1054272	1	Soft Cushion <input type="checkbox"/> 2" <input type="checkbox"/> 3" or <input type="checkbox"/> 4" Cushion width _____ Cushion depth _____				EA
15	1065268	1	Leg Guard Assy w/mtg hardware				EA
16	1116539	1	Drafting Bumper	Seat Width: _____	<input type="checkbox"/> Standard <input type="checkbox"/> Travel Ready	<input type="checkbox"/> Narrow <input type="checkbox"/> Wide Back	EA