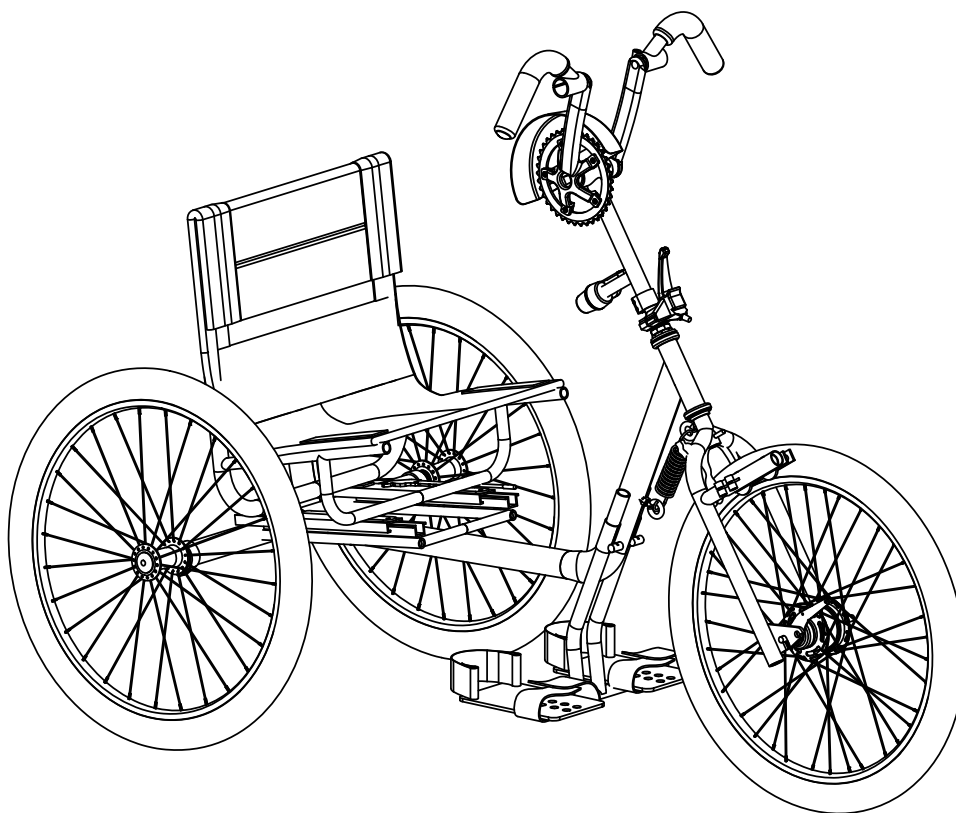




Sports and Recreation Products  
4501 63rd Circle North  
Pinellas Park, FL 33781  
(800) 532-8677 (727) 522-8677  
Fax: (727) 522-1007  
[www.topendwheelchair.com](http://www.topendwheelchair.com)

# Invacare Top End Parts Catalog XCL LXC





Sports and Recreation Products  
 4501 63rd Circle North  
 Pinellas Park, FL 33781  
 (800) 532-8677 (727) 522-8677  
 Fax: (727) 522-1007  
 www.topendwheelchair.com

# Parts Order Diagram

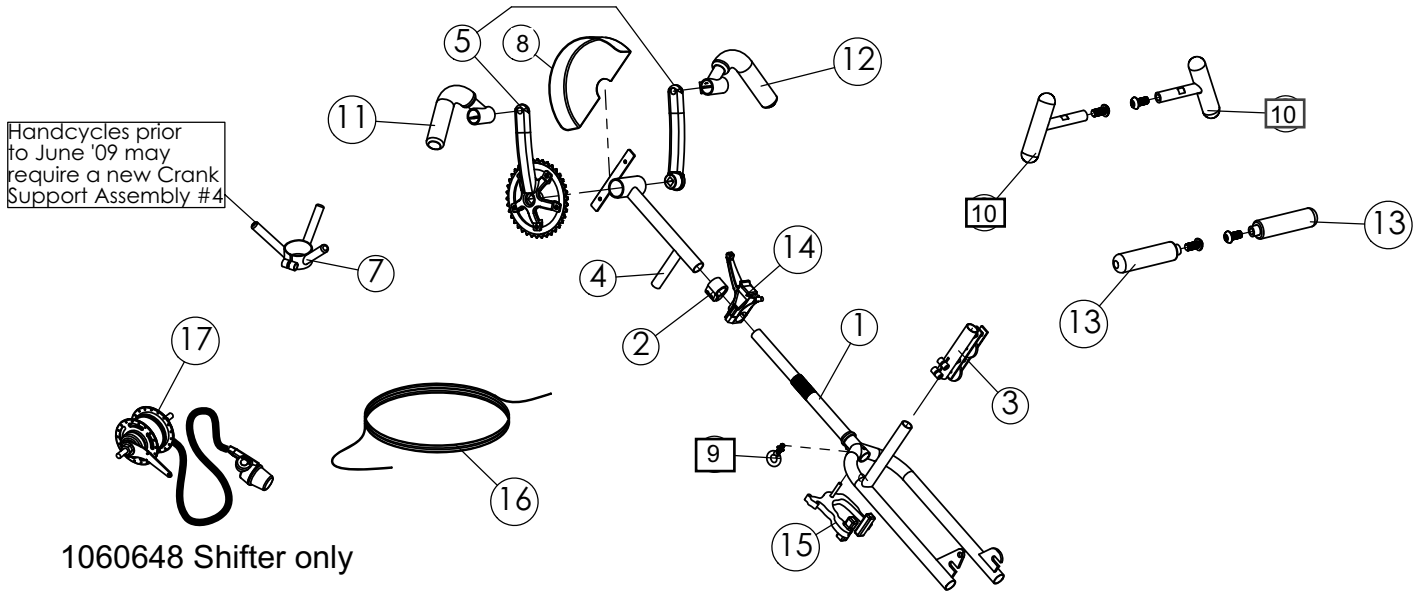
## XCL & LXC

### Fork Assembly

Date: \_\_\_\_\_ P.O./Customer#: \_\_\_\_\_ Ship to  Customer  Provider Part Tracking#: \_\_\_\_\_  
(TOP END Use Only)

<b>Provider</b> _____	<b>Acct#</b> _____
Address _____	Suite _____
City _____	State _____ Zip _____
Work Phone (_____) _____	Fax _____
Cell Phone (_____) _____	
E-mail _____	

<b>Customer</b> _____
Address _____ Apt. _____
City _____ State _____ Zip _____
Home Phone (_____) _____
Cell Phone (_____) _____
E-mail _____



1060648 Shifter only

ITEM NO.	PART NUMBER	PER BIKE	DESCRIPTION	ORDER QTY	
1	1056858	1	Fork, XCL		EA
	1057784	1	Fork, LXC		EA
2	1060797	1	Clamp, 1" alloy fork connector		EA
3	1068768	1	Chain idler assembly		EA
4	1109815	1	Crank Support Assembly		EA
	1068746	1	Bottom Bracket		EA
5	1056873	1	Crank Set, XCL (175mm)		EA
	1109737	1	Crank Set, LXC (155mm)		EA
	1063576	1	Chain		EA
7	1139822	1	Quad Shifter Adapter 7 spd, see note above		EA
8	1057053	1	Sprocket Guard		EA
9	1056761	1	Eye Bolt with locknut		EA
10	1059454	2	Handpedal, Right or Left Delrin, Ergonomic (includes bearings)		EA
11	1068756	1	Handpedal, Foam Covered Ergonomic Right Hand (includes bearings)		EA
12	1068757	1	Handpedal, Foam Covered Ergonomic Left Hand (includes bearings)		EA
13	1065270	2	Handpedal, Right or Left Horizontal (includes spindle)		EA
					EA
	1068761	1	Parking Brake Assembly (includes caliper, lever, cable & housing)		EA
14	1060291	1	Parking Brake Lever		EA
15	1060212	1	Parking Brake Caliper		EA
16	1146014	1	Cable and Housing for Parking Brake		EA
17	1056872	1	7 Speed Hub & Shifter		EA
	1109747	1	Mountain Drive Crankset with tool set (includes right and left arms)		EA
	1109754	1	Crank Support for Mountain Drive Crankset		EA

XCL & LXC page 2



Sports and Recreation Products  
 4501 63rd Circle North  
 Pinellas Park, FL 33781  
 (800) 532-8677 (727) 522-8677  
 Fax: (727) 522-1007  
 www.topendwheelchair.com

# Parts Order Diagram

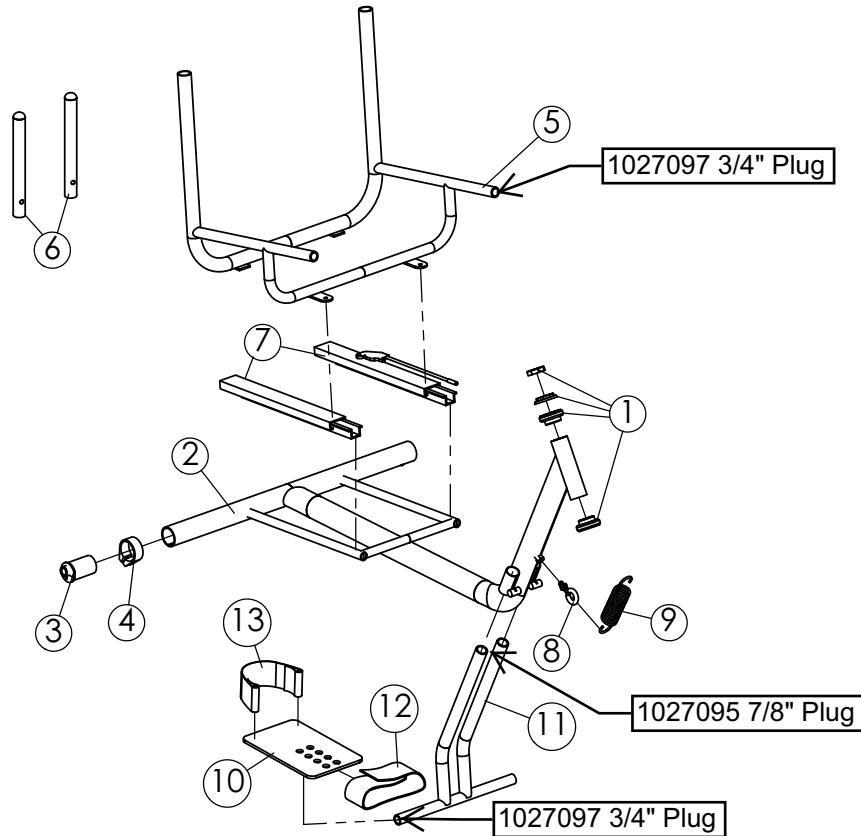
## XCL & LXC

### Frame Assembly

Date: \_\_\_\_\_ P.O./Customer#: \_\_\_\_\_ Ship to  Customer  Provider Part Tracking#: \_\_\_\_\_  
(TOP END Use Only)

<b>Provider</b> _____	<b>Acct#</b> _____
Address _____	Suite _____
City _____	State _____ Zip _____
Work Phone (_____) _____	Fax _____
Cell Phone (_____) _____	
E-mail _____	

<b>Customer</b> _____
Address _____ Apt. _____
City _____ State _____ Zip _____
Home Phone (_____) _____
Cell Phone (_____) _____
E-mail _____



ITEM NO.	PART NUMBER	PER BIKE	DESCRIPTION	ORDER QTY	
1	1056876	1	Fork headset bearing kit		EA
2	1065293	1	Frame XCL		EA
	1065292	1	Frame LXC		EA
3	1068760	1	Camber Plug 9 Degree		EA
4	1116530	2	Camber clamp		EA
5	1065291	1	Seat Frame Seat Width: <input type="checkbox"/> 14" <input type="checkbox"/> 16" <input type="checkbox"/> 18" <input type="checkbox"/> 20"		EA
6	1065290	2	Back Extension Assy		EA
7	1063515	1	Seat Slider Set		EA
8	1056761	1	Eyebolt w/locknut		EA
			1027097 3/4" Plug 1027095 7/8" Plug		EA
9	1056794	1	Spring		EA
10	1065294	2	Plate, Footrest (includes plate, clamp, and bolts)		EA
11	1056855	1	Footrest Support		EA
12	1056224	2	Footstrap		EA
13	1065301	2	Heelstrap (includes hardware)		EA



Sports and Recreation Products  
 4501 63rd Circle North  
 Pinellas Park, FL 33781  
 (800) 532-8677 (727) 522-8677  
 Fax: (727)522-1007  
 www.topendwheelchair.com

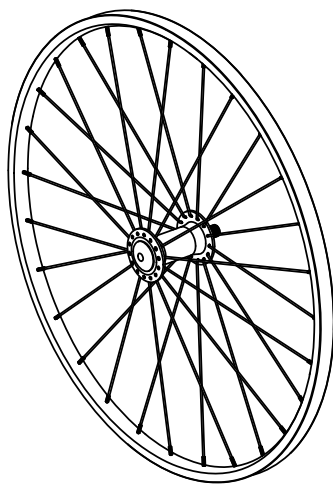
# Parts Order Diagram

## XCL & LXC Wheels

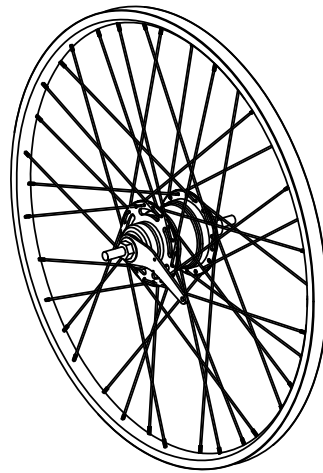
Date: \_\_\_\_\_ P.O./Customer#: \_\_\_\_\_ Ship to  Customer  Provider Part Tracking#: \_\_\_\_\_  
(TOP END Use Only)

<b>Provider</b> _____	<b>Acct#</b> _____
Address _____	Suite _____
City _____	State _____ Zip _____
Work Phone (_____) _____	Fax _____
Cell Phone (_____) _____	
E-mail _____	

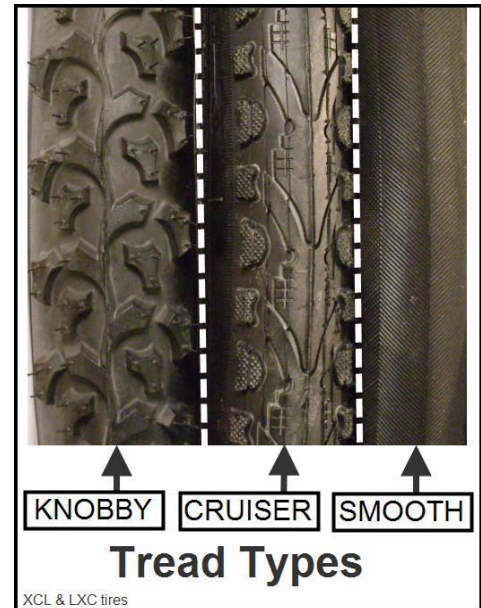
<b>Customer</b> _____
Address _____ Apt. _____
City _____ State _____ Zip _____
Home Phone (_____) _____
Cell Phone (_____) _____
E-mail _____



**REAR WHEEL**



**FRONT WHEEL**



ITEM NO.	PART NUMBER	PER BIKE	DESCRIPTION	TIRE STYLE	ORDER QTY
<b>XCL</b>					
	1065272	1	24" Off Road/Cruiser <b>Front Wheel</b> with Shimano 7 speed hub	Clincher Only	EA
	1065274	2	24" Off Road/Cruiser <b>Rear Wheel</b> , Quick Release axle	Clincher Only	EA
	1063517	3	Tire, 24" Knobby	XXXXX	EA
	1060711	3	Tire, 24" Cruiser	XXXXX	EA
	1063519	3	Tube, 24" Knobby/Cruiser	XXXXX	EA
<b>LXC</b>					
	1060696	1	20" Cruiser <b>Front Wheel</b> w ith Shimano 7 speed hub	Clincher Only	EA
	1065289	2	20" Cruiser <b>Rear Wheel</b>	Clincher Only	EA
	1057762	3	Tire, 20" _____ Smooth	XXXXX	EA
	1057763	3	Tube, 20" _____	XXXXX	EA
<b>Misc.</b>					
	1061213	3	Rim Strip <input type="checkbox"/> 20" <input type="checkbox"/> 24" <input type="checkbox"/> 26"	XXXXX	EA
	1065303	2	Quick Release Axle	XXXXX	EA

XCL & LXC page 4



Sports and Recreation Products  
 4501 63rd Circle North  
 Pinellas Park, FL 33781  
 (800) 532-8677 (727) 522-8677  
 Fax: (727) 522-1007  
 www.topendwheelchair.com

# Parts Order Diagram

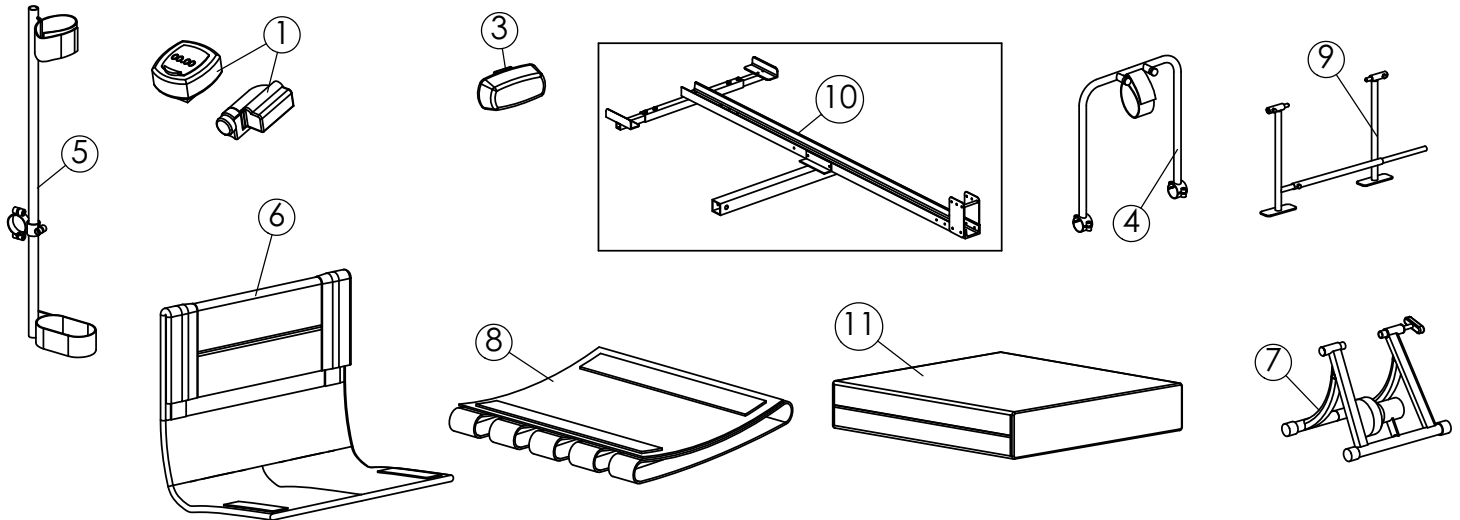
## XCL & LXC

### Accessories

Date: \_\_\_\_\_ P.O./Customer#: \_\_\_\_\_ Ship to  Customer  Provider Part Tracking#: \_\_\_\_\_  
(TOP END Use Only)

<b>Provider</b> _____	<b>Acct#</b> _____
Address _____	Suite _____
City _____	State _____ Zip _____
Work Phone (_____) _____	Fax _____
Cell Phone (_____) _____	
E-mail _____	

<b>Customer</b> _____
Address _____ Apt. _____
City _____ State _____ Zip _____
Home Phone (_____) _____
Cell Phone (_____) _____
E-mail _____



ITEM NO.	PART NUMBER	PER BIKE	DESCRIPTION	ORDER QTY	
1	1056875	1	Cordless Computer		EA
	1068722	1	Mirror		EA
3	1068721	1	Front Safety Light (clear)		EA
	1060841	1	Front Safety Light (red)		EA
4	1068720	1	Tow bar for wheelchair		EA
	1060639	1	Helmet o Small o Medium o Large		EA
	1063516	1	Safety flag with mounting hardware		EA
5	1068723	1	Crutch Holder		EA
6	1065286	1	XCL Back Upholstry Seat Width _____		EA
	1065286	1	LXC Back Upholstry Seat Width _____		EA
	1068718	1	Water Bottle & Cage		EA
7	1116580	1	Indoor Training Roller		EA
8	1127963	1	XCL Seat Upholstry, Adjustable Tension Seat Width _____		EA
	1127963	1	LXC Seat Upholstry, Adjustable Tension Seat Width _____		EA
9	1109717	1	Alignment Gauge		EA
	1139799	1	Heart Monitor (Chest Strap and Watch)		EA
10	1068771	1	Bike Rack for trailer hitch <input type="checkbox"/> 1-1/4" (std) <input type="checkbox"/> 2"		EA
11	1054272	1	Soft Cushion <input type="checkbox"/> 2" <input type="checkbox"/> 3" or <input type="checkbox"/> 4" Cushion width _____ Cushion depth _____		EA
	1060670	1	TriPin Spinner Quad handle-RH		EA
	1060671	1	TriPin Spinner Quad handle-LH		EA
	1065300	1	Quad Cuff Handle kit (Pr)		EA
	1068702	1	Quad Gloves (Pr)		EA
	1109772	1	Seat Restraint: Hook and Loop		EA
	1004310	1	Seat Restraint: Auto Style		EA